

Installation Guide & User Manual

Scan to view on YouTube
Installation Video



•THORBOLT•

Door Knob with Keypad

M1



Hello!

Thank you for choosing M1 Door Knob With Keypad!

M1 takes indoor room security to the next level. The robust and stylish body is constructed by rigorously selected Aluminum and Zinc Alloy materials. Unlike any traditional door knob, M1 enables you to manage up to 100 passcodes opening up multiple possibilities for various use cases.

In addition, settings such as Passage Mode, Auto-Lock, and Anti-Peep passcode deliver ultimate convenience for day-to-day use. With our power-saving technologies, 4 AA batteries are able to provide up to 2 years of battery life. You may finally be able to put your keys away and use them as backup.

For now, please be sure to explore all of its features outlined in this manual. If you have any questions, feel free to just drop us an email anytime. We'd love to assist you to get the most out of it!

Customer Support

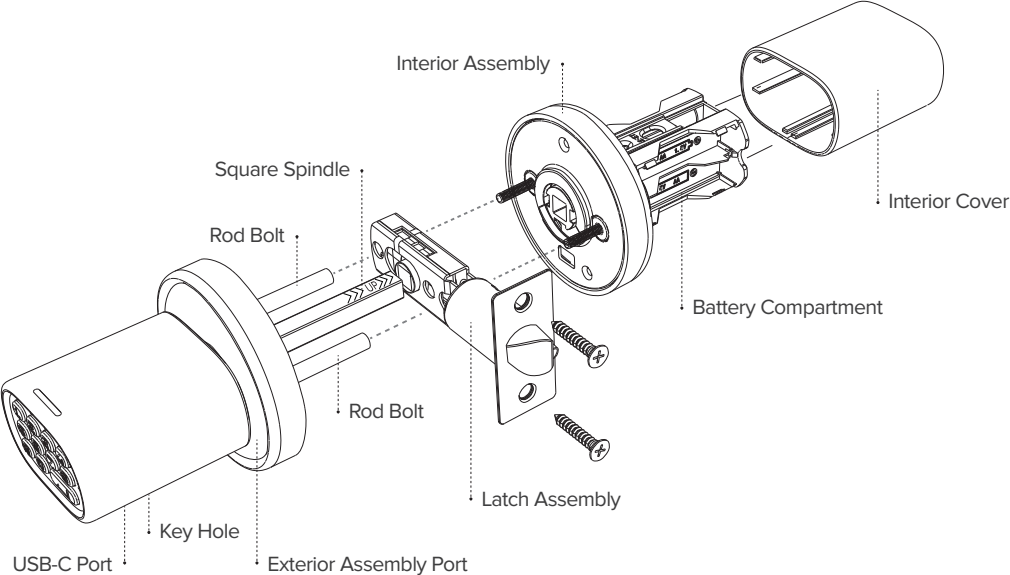


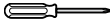


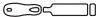
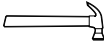


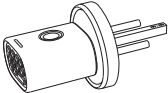
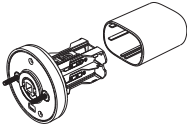
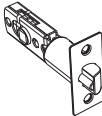









support@thorbolt.co



www.thorbolt.co

What's in the Box



Tools	Additional					
 Phillips Screwdriver	 Drill	 Hole Saw Drill	 Chisel	 Hammer	 Tape Measure	 Pencil
Parts	 Exterior Assembly		 Interior Assembly		 Latch Assembly	 Key x 2  Strike Plate  Strike Box
 M4 Screw x 3 1-2/5" (35mm) For door thickness 1-3/8" - 1-3/4" (35 - 45mm) [*2 on door knob set, 1 spare]	 M3 Screws x 2 1/4" (6mm) [*1 on door knob set, 1 spare]	 Strike Plate Screws x 4 4/5" (20mm)				
Optional Parts (Contact Customer Service if needed)	For door thickness 1-3/4" - 2-1/4" (46 - 58mm)  2-3/4" (70mm) backset is required		 Long Square Spindle	 M4 Screws x 3 1-3/4" (45mm)		

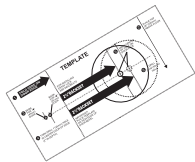
Prepare the door and check dimensions

- For installation on new doors

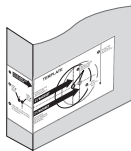
1

1. Prepare door and jamb

- Take out the 'Door Marking Template' (Figure 1a).
- Fold template and place on door 36" (915mm) from the ground as marked (Figure 1b).



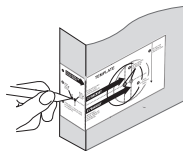
-1a-



-1b-

2. Mark the door for drilling

- Mark center hole on door edge through guide on template for 1" (25mm) latch bolt (Figure 2a).
- Mark center hole on door face through guide on template for 2-3/8" (60mm) or 2-3/4" (70mm) backset (Figure 2b).



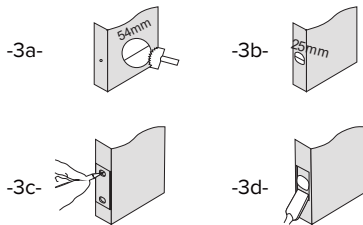
-2a-



-2b-

3. Drill and chisel door

- Drill 2-1/8" (54mm) hole through door face as marked for lock set (Figure 3a).
- Drill 1" (25mm) hole in center of door edge for Latch Assembly (Figure 3b).
- Insert Latch Assembly in hole keeping it parallel to face of door. Mark outline and remove latch (Figure 3c).
- Chisel 1/8" (3mm) deep or until latch face is flush with door edge (Figure 3d).

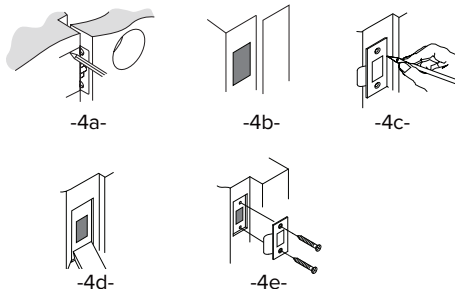


NOTE:

For drive in Latch, drill hole size indicated on template and press until it is flush with door edge.

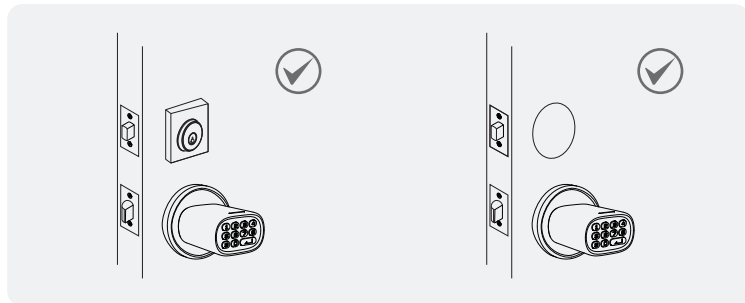
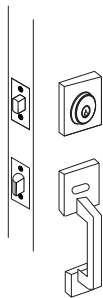
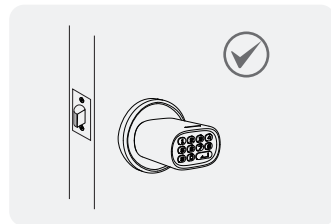
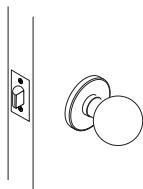
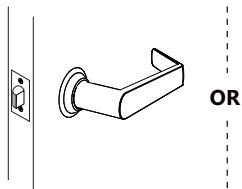
4. Mark and drill door jamb

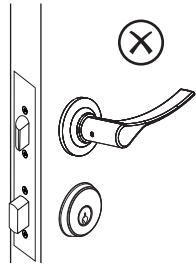
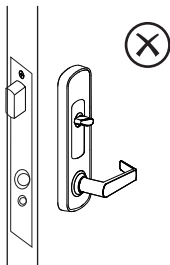
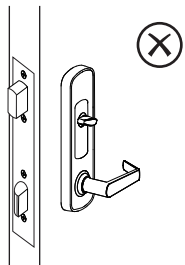
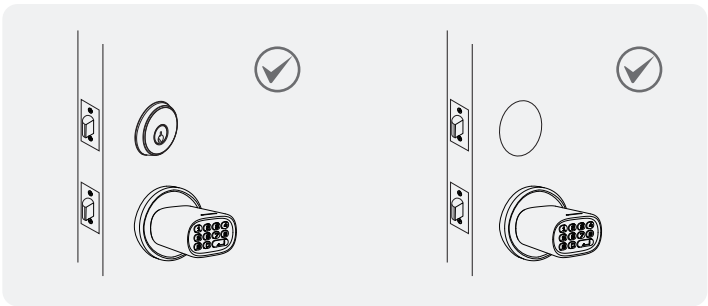
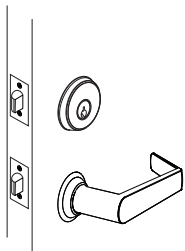
- Mark center hole on edge of jamb even with the center of the Latch Bolt on door edge (Figure 4a).
- Drill a hole in door jamb on center mark. Check if the strike box measure can perfectly fits in (Figure 4b).
- Outline outside edges of Strike Plate (Figure 4c).
- Chisel 1/8" (3mm) deep for Strike Plate or until flush (Figure 4d).
- Install Strike Plate using two 4/5" (20mm) screws provided (Figure 4e).



For installation on doors with pre-drilled holes

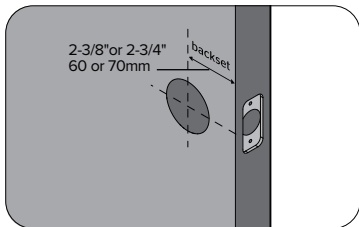
1. Check door compatibility / Remove existing door knob (if applicable)



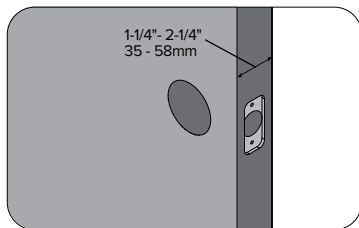


2. Double check door dimensions

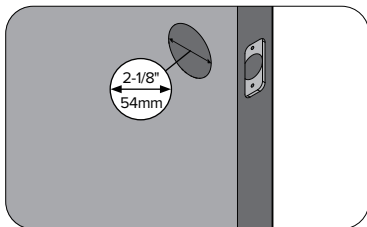
- 1 Backset: measure to confirm that the backset is either 2-3/8" or 2-3/4" (60 or 70mm).



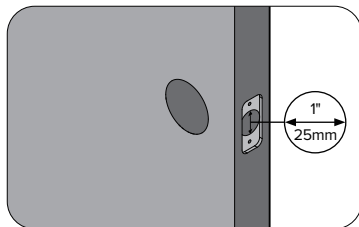
- 2 Thickness: measure to confirm that the door is between 1-1/4" to 2-1/4" (35mm to 58mm) thick.



- 3 Hole in the door: measure to confirm that the hole in the door is 2-1/8" (54mm).



- 4 Hole in the door edge: measure to confirm that the hole in the door edge is 1" (25mm).





DO NOT use an electric screwdriver, only hand tighten screws with Phillips screwdriver.

DO NOT over-tighten screws.

DO NOT install this product if your door thickness is out of range.

DO NOT mix new batteries with used batteries when the product is in use. Use brand new batteries from a single brand.

DO NOT keep your keys inside.

Batteries

This lock requires 4 AA Alkaline batteries **from a single brand** (Duracell or Energizer recommended) to be **purchased separately**. **For best result**, 1.2V rechargeable batteries are **NOT** recommended. When all 4 batteries are installed in the correct position, you will hear a long beep and the indicator lights will illuminate.

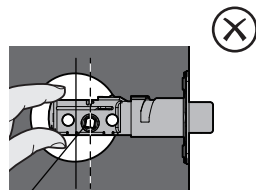
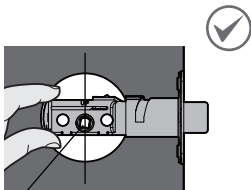


DO NOT mix new batteries with used batteries when the product is in use. Use brand new batteries from a single brand.

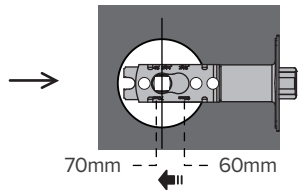
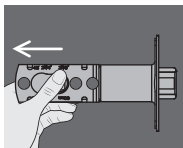
Install the Latch and Strike Plate

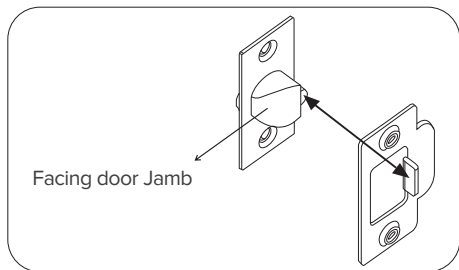
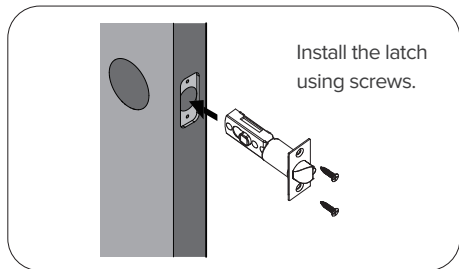
2

Hold the latch in front of the door hole, with the latch face flush against the door edge. Make sure the square-shaped hole is centered.



For 2-3/4" (70mm) backset, pull to extend the latch in order to center the squared-shaped hole.



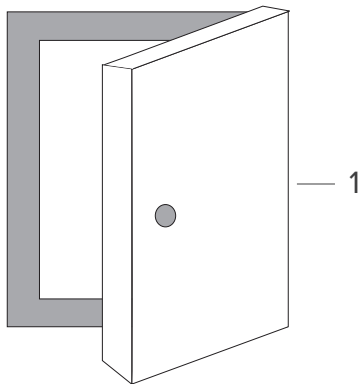


In most cases, the existing strike plate is ready to be used. You may store the strike plate in box for future use.

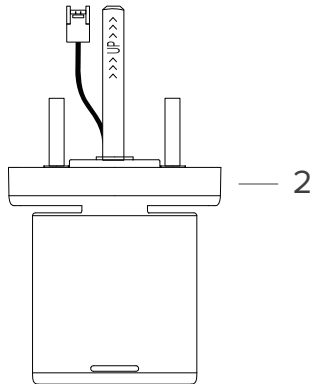
If not, please make sure the bolt is aligned correctly with the strike plate.

Install the Exterior Assembly

3

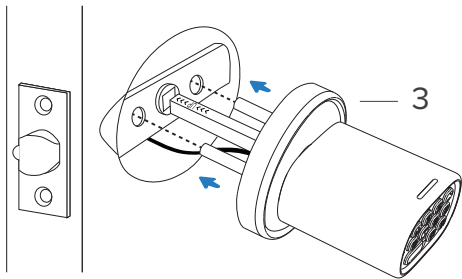


Make sure the door is open.

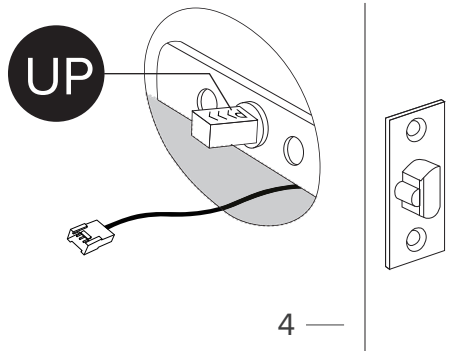


Make sure the fingerprint sensor and indicator light face upward.

Insert the Exterior Assembly onto the door with the rod bolts going through the round holes on the latch, the square spindle going through the center hole on the latch and the control wire going through the door hole below the latch.

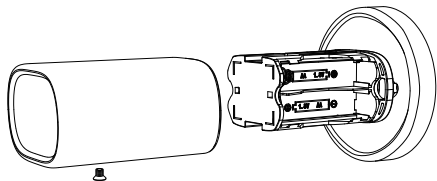


The “UP” mark on the spindle should face upward



Forcing the control wire into any other place than specified above will damage the connector, making the door knob unusable.

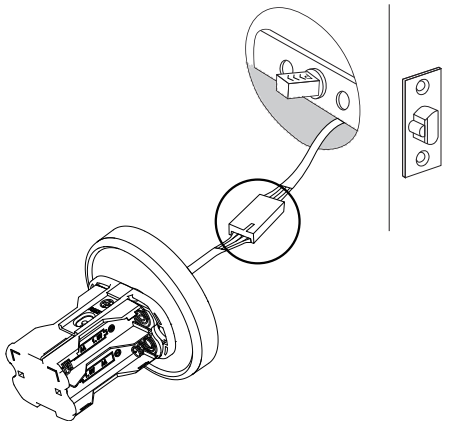
Install the Interior Assembly



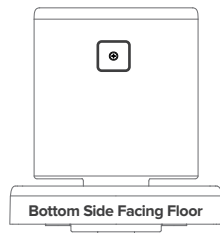
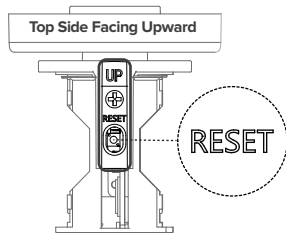
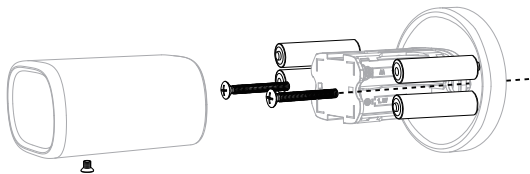
- 1 Remove the screw located at the bottom and then pull out the cover.

4

- 2 Connect the control wire male connector with the female connector from the exterior assembly.




- Secure both exterior and interior knobs to the door using the 1-2/5" (35mm) screws. Tighten them with a Phillips Screwdriver (**DO NOT over-tighten**).
- Install the batteries into the compartment.
- Press and hold the reset button until you hear a long beep.
- Install and then secure the cover with the screw.



Make sure the side with the screw faces toward the floor, or the opposite side with the reset button faces up.

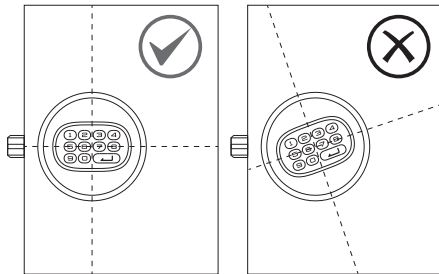
Testing door knob

5

- Always test with door open.
- Make sure both the interior and exterior knobs are not slanted.
- Enter admin passcode 010203 (default) >  and test the exterior knob. The bolt should move smoothly in and out.
- Use keys to test the exterior knob. Insert the key and then turn it counter-clockwise 90°. And then when you turn the knob either way, the bolt should smoothly move in and out.
- Test the interior knob. The bolt should move smoothly in and out.
- Close the door to make sure the bolt fits in the hole on jamb.



Congratulations!
M1 is ready for use.

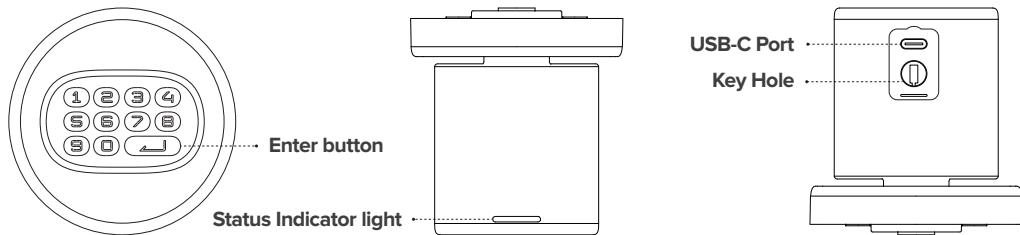


Note:

- Make sure the door knob has been reset successfully.
- If you forget your passcode and your fingerprint is not recognized nor setup, the only way to unlock is to use backup keys.
- If you happen to lose your backup keys at the same time, please immediately contact a locksmith for assistance.

Using door knob

6



Batteries

This lock requires 4 AA Alkaline batteries **from a single brand** (Duracell or Energizer recommended) to be **purchased separately. For best result**, 1.2V rechargeable batteries are NOT recommended. When all 4 batteries are installed in the correct position, you will hear a long beep and the indicator lights will illuminate.



If the batteries die due to long idle time, use type-C cable with a power source such as a power bank for emergency power. As soon as unlocking is successful, immediately replace with new batteries.



















Buzzer and Status Indicator





Action	Buzzer	Indicator
Power on	Long beep	Stays green for a while
Press a button	Beeps once	Blinks green once
Unlocking successful	Long beep	Stays green for a while
Passcode operation successful	Long beep	Stays green for a while
Silent mode on	Silent	Stays green for a while
Silent mode off	Long beep	Stays green for a while
Passage mode on	Long beep	Stays green for a while
Passage mode off	Long beep	Stays green for a while
Auto-Lock completed	Silent	Inactive
Immediate Lock completed	Silent	Stays green for a while
Resetting successful	Long beep	Stays green for a while
Press a button when keys are locked up	Beeps twice	Blinks red twice
Operation failed	Beeps twice	Blinks red twice
Low batteries warning	Beeps 5 times	Blinks red 5 times

Account management

Administrator Passcode	Default administrator passcode is '010203'. If you wish to set a new passcode, it should be 4-8 digits. Make sure to set a new code as soon as you finish installing the lock.
Change Administrator Passcode	[]> old passcode > []> 0 > []> new passcode > []> new passcode (confirm) > []
Add a User Passcode	[]> admin. passcode > []> 1 > []> new passcode > []> new passcode (confirm) > []
Change a User Passcode	[]> admin. passcode > []> 2 > []> old passcode > []> new passcode > []> new passcode (confirm) > []
Delete a User Passcode	[]> admin. passcode > []> 7 > []> old passcode > []
Clear all users	[]> admin. passcode > []> 99 > []>99> []

Settings

<p>Resetting the Door Knob</p>	<p>Remove the screw and cover from the interior assembly. Press and hold the Reset Button until you hear a long beep sound along with the green light, and then the door knob will reboot itself until you hear another long beep sound along with green light, indicating the reset is successful.</p>								
<p>Passage Mode</p>	<p>Turn on passage mode, the door will stay unlocked until you turn it off.</p> <table border="1" data-bbox="604 464 1509 723"> <thead> <tr> <th colspan="2" data-bbox="604 464 1209 520">*Turn on passage mode</th> <th data-bbox="1209 464 1509 571">Turn off passage mode</th> </tr> <tr> <th data-bbox="604 520 908 571">Standard Settings</th> <th data-bbox="908 520 1209 571">Shortcut</th> <td data-bbox="1209 571 1509 723" rowspan="2">Press & hold  to deactivate passage mode while it is on</td> </tr> </thead> <tbody> <tr> <td data-bbox="604 571 908 723">  > admin. passcode>  > 4 >  </td> <td data-bbox="908 571 1209 723"> admin. passcode >  > Press and hold  for 5s </td> </tr> </tbody> </table> <p>*Once succeeded, green light stays for a while along with a long beep.</p>	*Turn on passage mode		Turn off passage mode	Standard Settings	Shortcut	Press & hold  to deactivate passage mode while it is on	 > admin. passcode>  > 4 > 	admin. passcode >  > Press and hold  for 5s
*Turn on passage mode		Turn off passage mode							
Standard Settings	Shortcut	Press & hold  to deactivate passage mode while it is on							
 > admin. passcode>  > 4 > 	admin. passcode >  > Press and hold  for 5s								
<p>Anti-Peep</p>	<p>The Anti-Peep technology is used for protecting your passcode from prying eyes. You may enter up to 20 digits including your passcode to unlock the door knob.</p>								

<p>Auto-Lock</p>	<p>The door knob will automatically lock after 5s.</p> <p>NOTE: Turning on Passage Mode will automatically disable the Auto-Lock feature. As soon as Passage Mode is off, Auto-Lock will resume automatically.</p>
<p>Silent Mode</p>	<p>Turn on/off Silent Mode (Buzzer)</p> <p> > admin. passcode >  > 6 > </p> <p>You may turn on silent mode to deactivate the buzzer.</p>
<p>Immediate locking</p>	<p>Press  to lock immediately.</p>

 **SAVE THESE IMPORTANT INSTRUCTIONS FOR EASY REFERENCE.**

Troubleshooting

No indicator nor sound response from pressing a button

1. Remove both the interior and exterior assemblies and then check if the cable wire is intact and securely attached. If not, remove the connector and then plug it back in again.
2. Make sure the batteries are inserted properly (correct polarity).
3. Make sure the batteries have enough power.
4. Check if the door knob is in Silent Mode.

If you are stuck outside and not able to access battery compartment, use USB-C emergency power to power on the door knob.

Latch will not extend or retract completely when closed

1. Check the size of the hole in the door edge and adjust according to installation guide.
2. Check if the latch is installed properly according to the backset length.
3. Make sure the exterior and interior assemblies are properly installed in the right directions (refer to **page 15**).

<p>Bolt is not able to go through the strike plate</p>	<ol style="list-style-type: none"> 1. Make sure the bolt aligns with the strike plate. 2. Make sure the bolt edge can slide into the strike plate. 3. Make sure depth of the hole in door jamb fits the bolt.
<p>Failed to unlock using a passcode:</p>	<ol style="list-style-type: none"> 1. Failed to unlock using administrator passcode > reset the door knob 2. Failed to unlock using a user passcode > use administrator passcode to modify the user passcode. 3. Check if the buttons work properly: Turn off Silent Mode, and then press each button. You should hear the buzzer every time.
<p>Failed to lock or unlock/ Failed to fully turn the knob</p>	<ol style="list-style-type: none"> 1. Check if the screws are overtightened when installing the interior piece. 2. Check if both knobs are slanted from the door edge. 3. Make sure the battery level is high and no mixing of new batteries with the old ones. 4. Make the latch and strike plate are aligned with each other and flush with door edge.

Important safeguard

7

- Protect your administrator code (less exposure) by setting a user code aside from the administrator code for daily use. Use only administrator code when you need to manage users.
- When sending a user code, always double-check that you are sending it to the correct recipient.
- Dispose of used batteries according to local laws and regulations.
- Always have access to your lock's standard key.
- Prevent water and liquids from getting into the lock's electric parts or battery compartment.
- Replace batteries immediately as soon as you are warned.

CAUTION:

Prevent unauthorized entry. Since anyone with access to the interior assembly can factory reset the door knob, routinely check the administrator code to ensure they have not been altered without your knowledge.

WARNING:

This Manufacturer advises that no lock can provide complete security by itself. This lock may be defeated by forcible or technical means, or evaded by entry elsewhere on the property. No lock can substitute for caution, awareness of your environment, and common sense. Builder's hardware is available in multiple performance grades to suit the application. In order to enhance security and reduce risk, you should consult a qualified locksmith or other security professional.